

# MAGHAMMER<sup>®</sup>

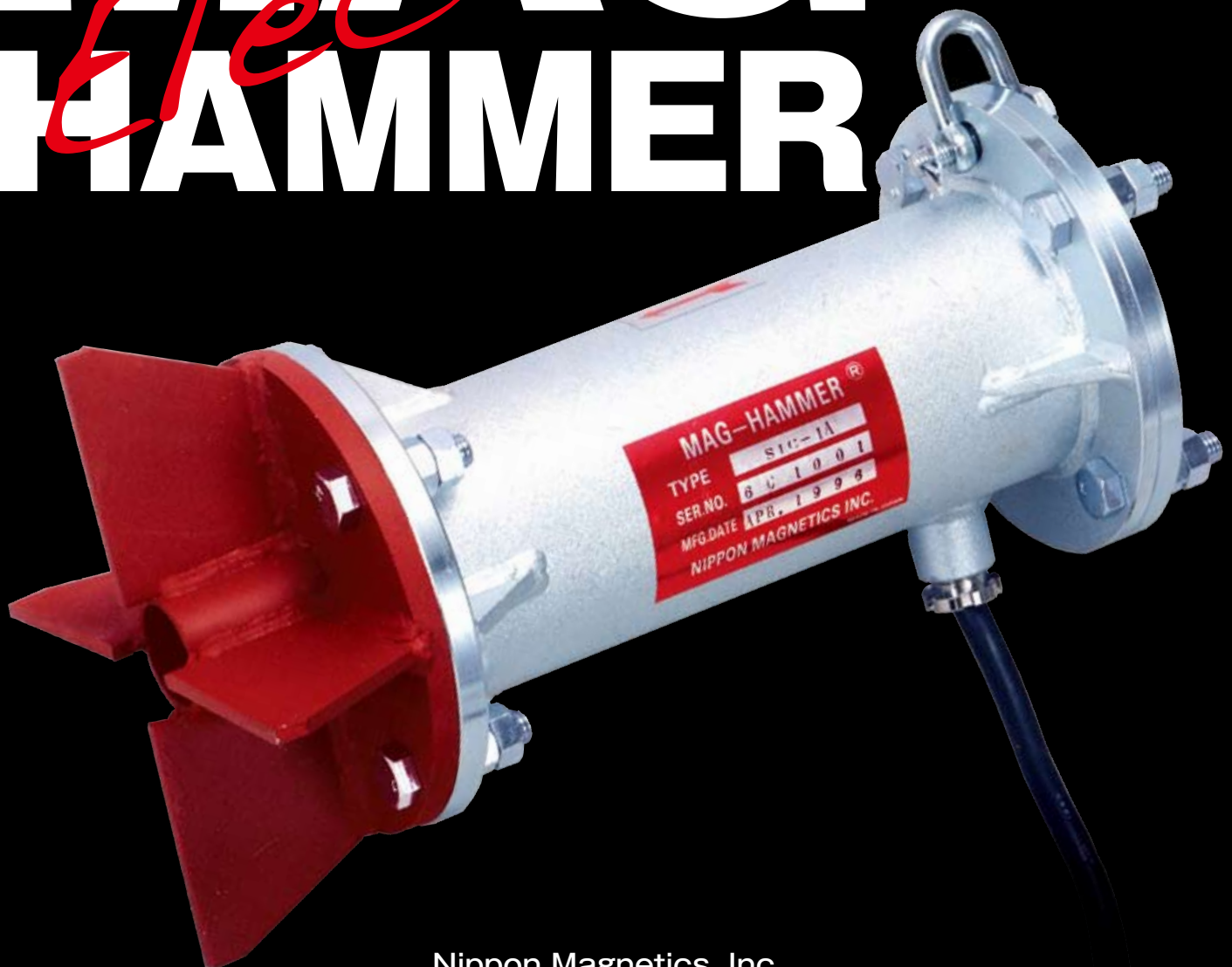
## electromagnetic

**Solution for rat-holing, arching and bridging for powder and bulk solids**

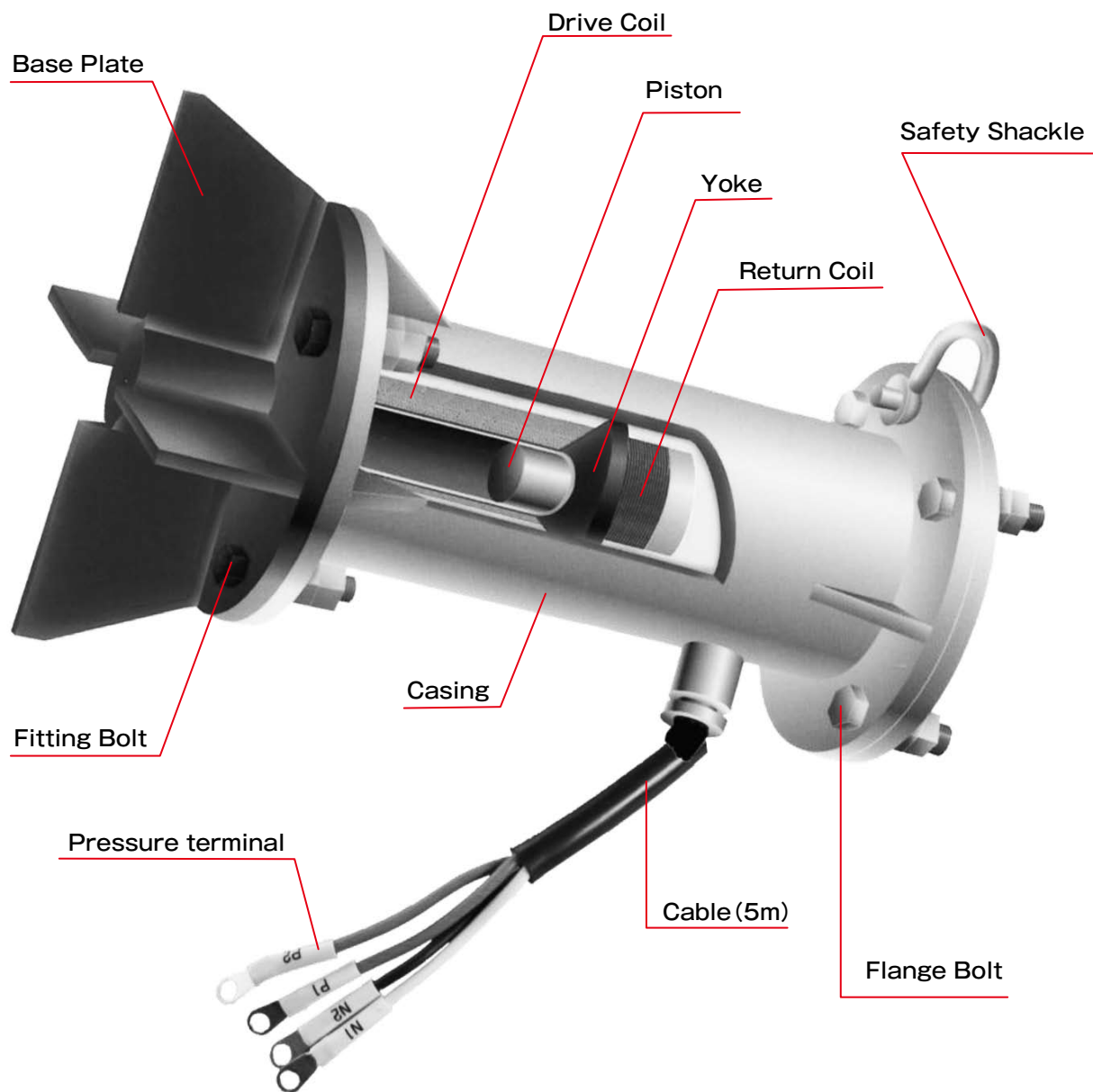
**[USAGE]** Prevents rat hole, arching and bridging for hoppers, shooters, air ducts, and tanks.

- [Features]**
1. High efficiency for continuous impacting force.
  2. Flexible adjustments by controller fit specific needs for application.
  3. Sealed design allows use in severe dusty atmosphere.
  4. Operation can be activated by an external signal, internal timer or manual control.

# MAG *Electro* HAMMER



## ■ Construction



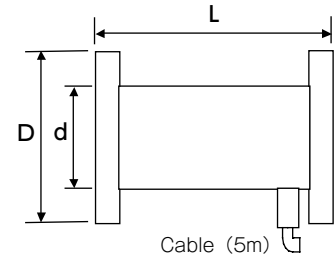
### Characteristics:

- 1 No compressed air required.
- 2 Impact force is adjustable with Controller.
- 3 Hitting frequency and pause time are adjustable with Controller.
- 4 Automatic hitting frequency is adjustable as 1 hit+pause, 2 hits+pause, 3 hits+pause, etc. up to 10 hits+pause with Controller.
- 5 Continuous impact will be effective in overcoming problems.
- 6 SIC Type casing is sealed to prevent ingress of dust or moisture.
- 7 Durability with contact-free Controller.
- 8 Built-in terminal block in Controller for connecting external signal extension.

## ■ MAGHAMMER Specifications

Model	Construction	Impact Force		Size(mm)			Weight (kgs)	Ampere 3 $\phi$ AC220V
		kg·m/sec	Equivalent Hmmer(lbs.)	D	d	L		
SIC-05A	Sealed Unit (Indirect Hitting)	1.8	1	130	76	226	7	1.3
SIC-1A		3.8	2	165	102	284	13	1.8
SIC-2A		8.2	4	190	114	318	22	3.4
SIC-3A		21.3	10	255	165	384	52	3.9
SIC-05AS	Sealed Unit (Indirect & Sound-proof hitting)	1.3	0.7	130	76	226	7	1.3
SIC-1AS		2.7	1.5	165	102	284	13	1.8
SIC-2AS		5.7	3	190	114	318	22	3.4
SIC-3AS		14.9	7	255	165	384	52	3.9

- Note : 1) High temperature model (100°C ambient temperature) available on request.  
 2) Stainless steel, anti-corrosion type, for application in corrosive atmosphere available on request.  
 3) Piston-extruded model available on request.  
 4) CE marking model available on request.  
 5) Base plate with bolts & nuts is included as standard supply. 5-Meter cable  
 6) 5-Meter cable to connect **MAGHAMMER®** is included as standard supply.



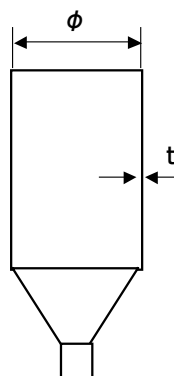
## ■ Controller

Model	"Q'ty of MAGHAMMER® controllable by one Controller"	Construction	Input	Operation	Impact Force Variable
SB-1A	3×05A or 2×1A or 1×2A or 1×3A	Indoor use Dust-proof With case	3 $\phi$ AC220V	Auto or Remote Hits variable: 1 to 10 Pause variable: 30sec. to 10min	50~100%
SB-2A	6×05A or 4×1A or 2×2A or 2×3A				
SN-1A	3×05A or 2×1A or 1×2A or 1×3A	Without case		Auto operation By external signal 1hit/1sec	50~100%
SN-2A	6×05A or 4×1A or 2×2A or 2×3A				

- Note : 1) Dust-proof and water-proof controller is available for outdoor use.  
 2) Controller for multi **MAGHAMMERS'** operation is available on request.

## ■ Selection Guide

Various factor must be considered for selection of **MAGHAMMERS**, but the primary factors are hopper's shape and dimensions as well as type of material. This chart serves as a general guide for the model and quantity of units required. It is wise to have the larger model and adjust the impact force.



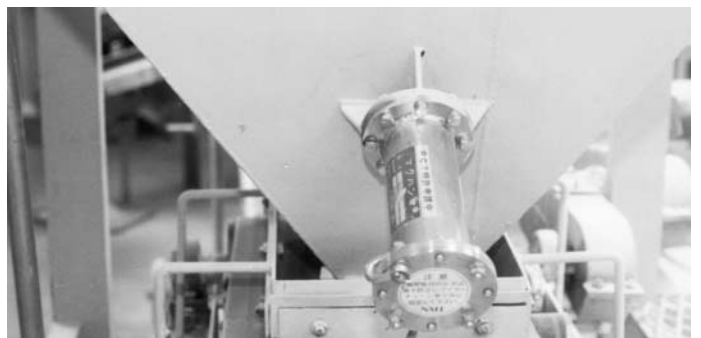
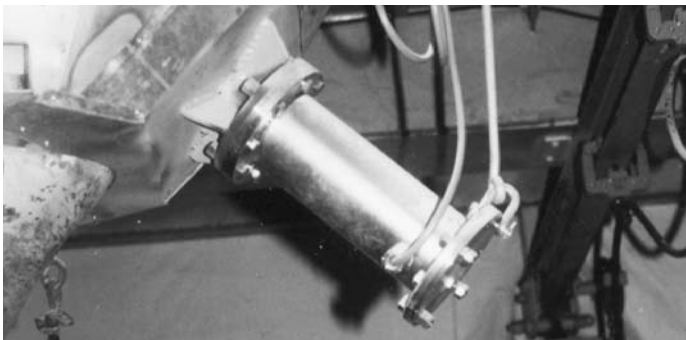
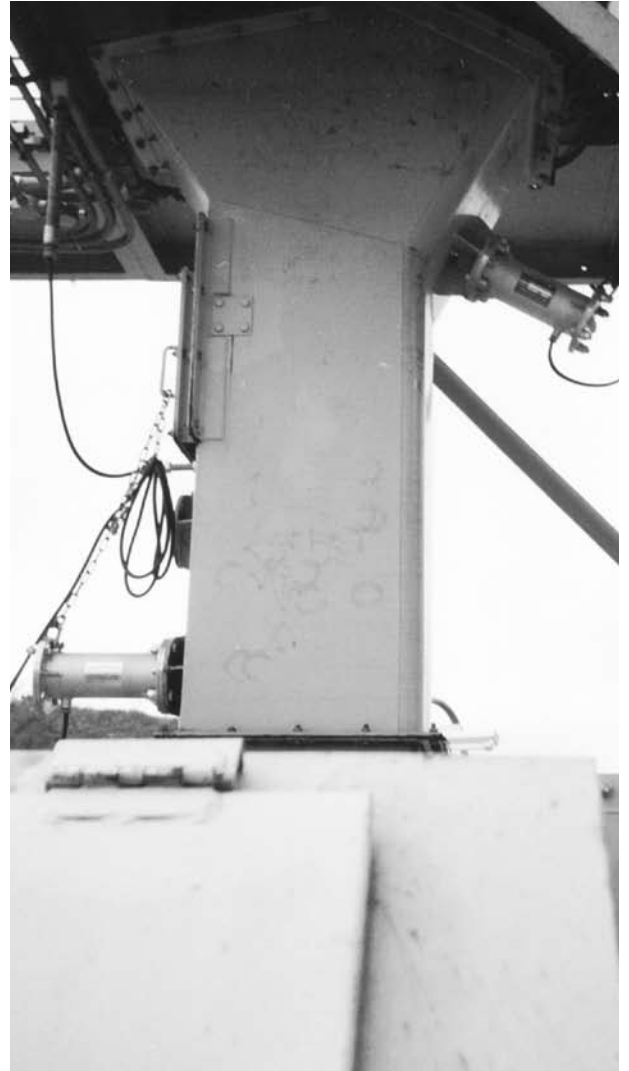
### ● Model & Q'ty

$\phi$ m	tmm									
	1	2	3	4	5	6	7	8	9	over
0.5										
0.8	05A×1			1A×1			2A×1			3A×1
1										
1.5										
2	05A×2			1A×2			2A×2			3A×2
2.5										
3										
3.5	05A×3			1A×3			2A×3			3A×3
4										
5										
5	05A×4			1A×4			2A×4			3A×4
6										

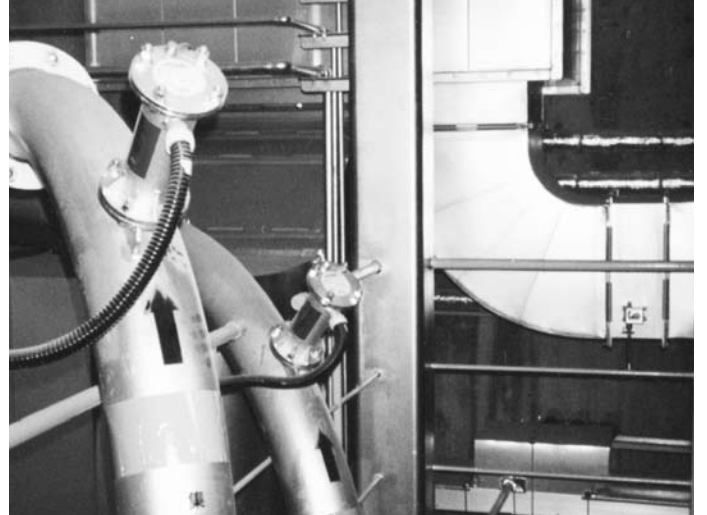
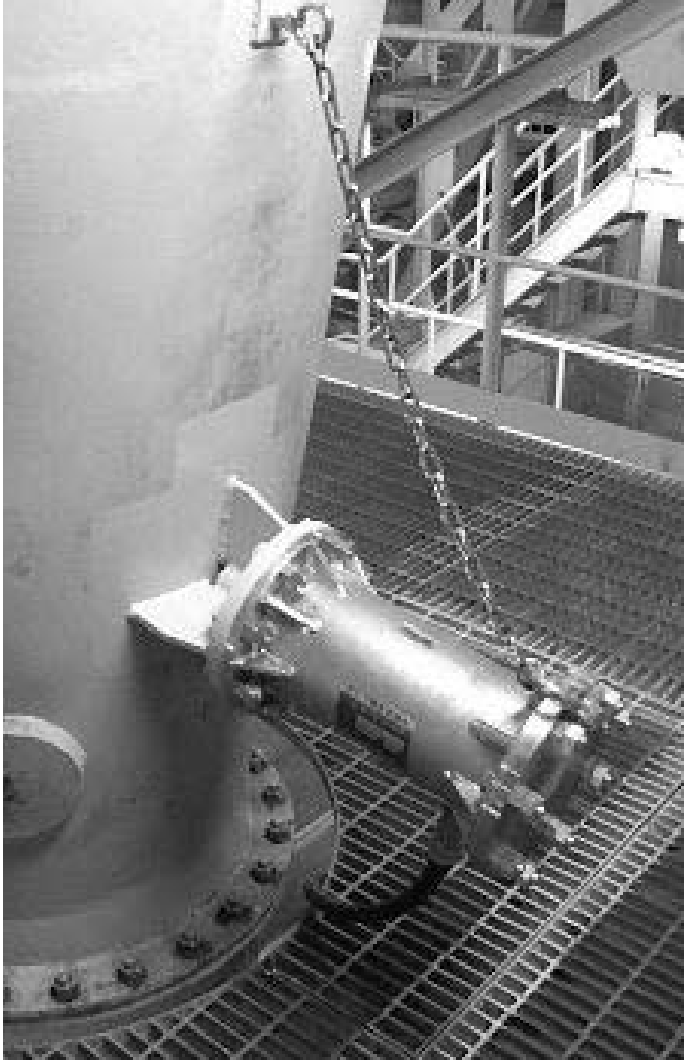
## ● Phenomena of problems which can be solved



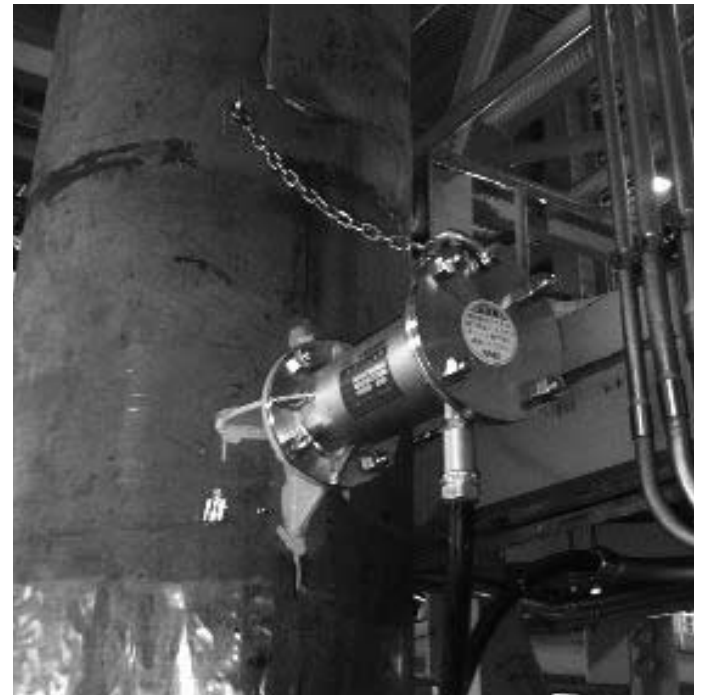
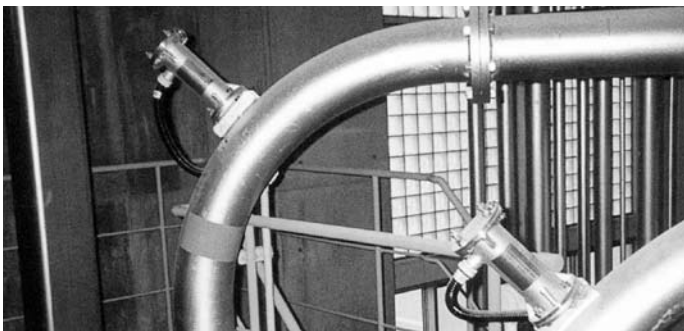
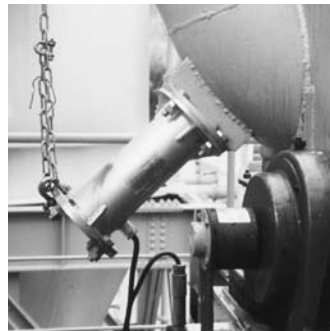
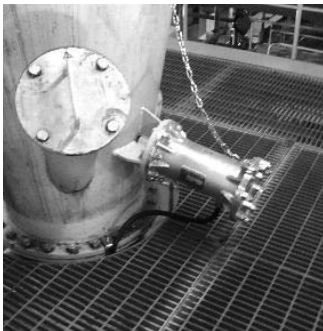
## Examples of installations



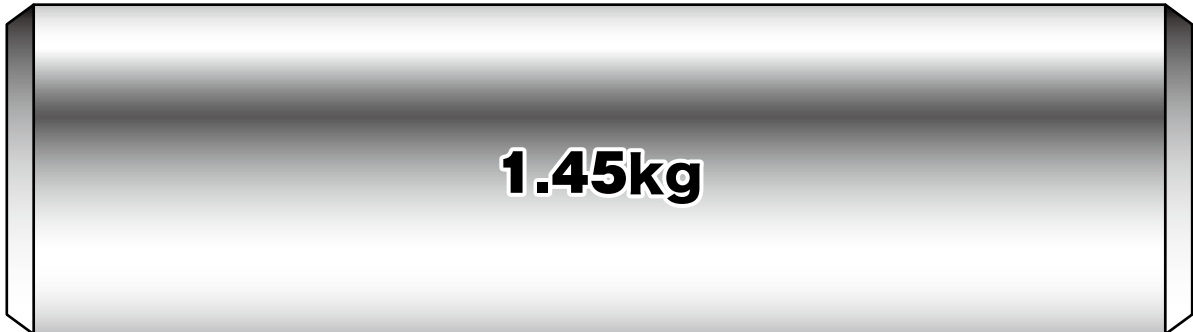




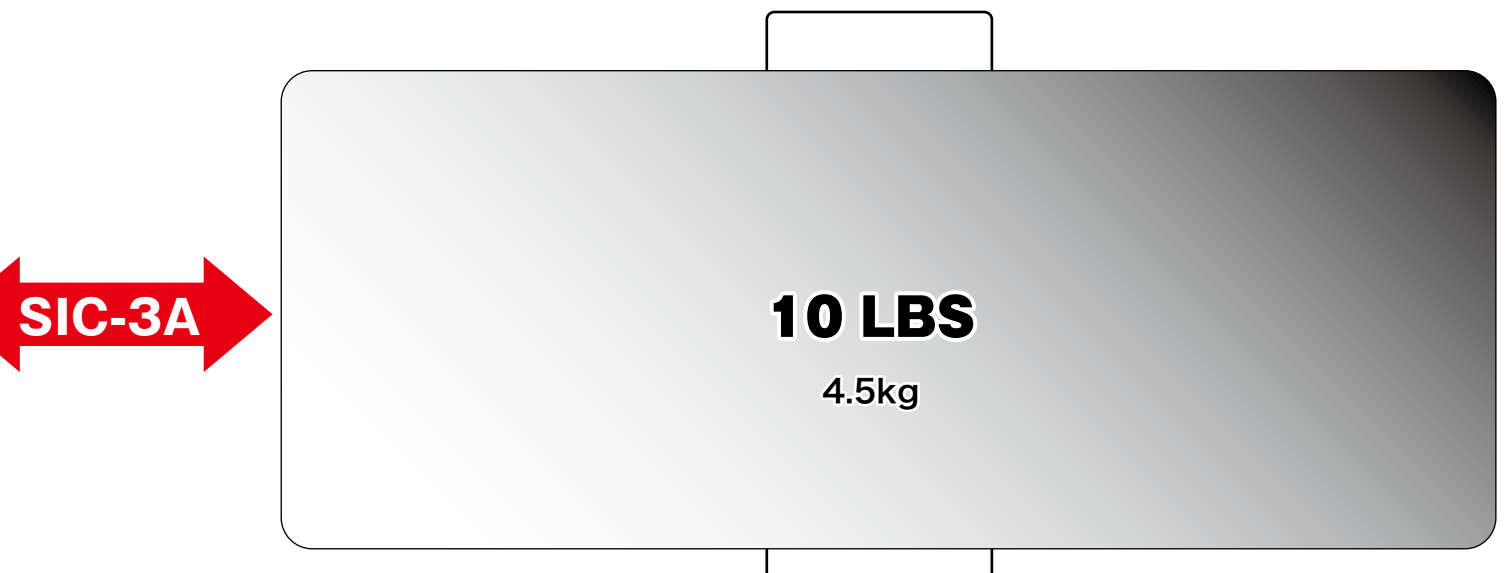
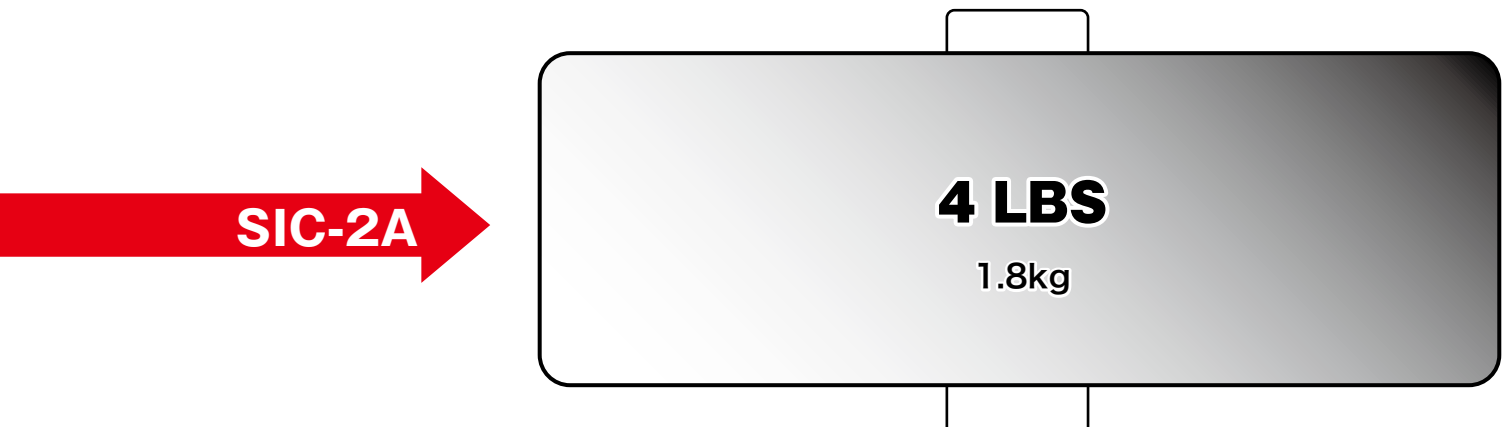
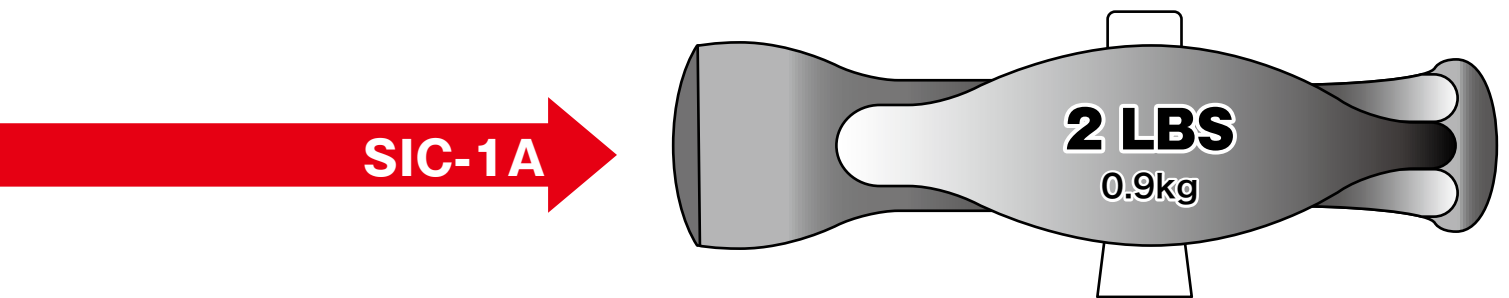
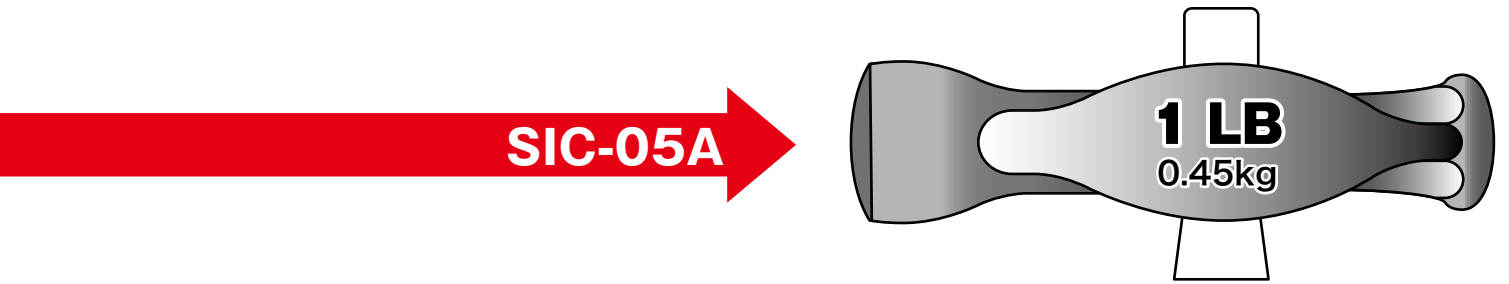
**MAGHAMMERS installed for various applications.**



**Actual sizes of Pistons**



**Actual sizes of Hammers**

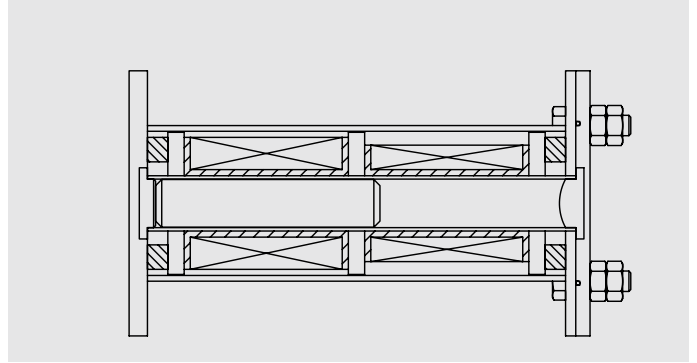
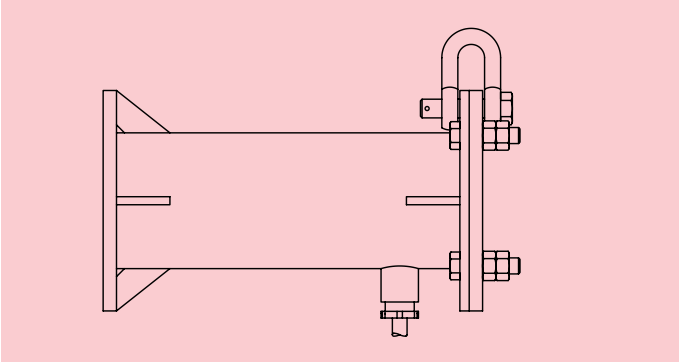


## MAGHAMMER outer appearance

## MAGHAMMER internal structure

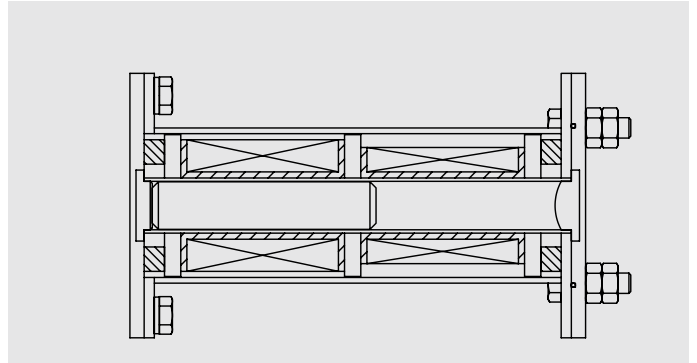
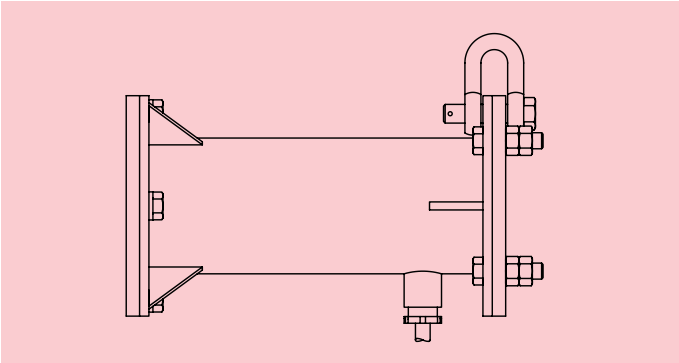
### Standard type (SIS-A)

Powerful impact with stainless steel impact plate.



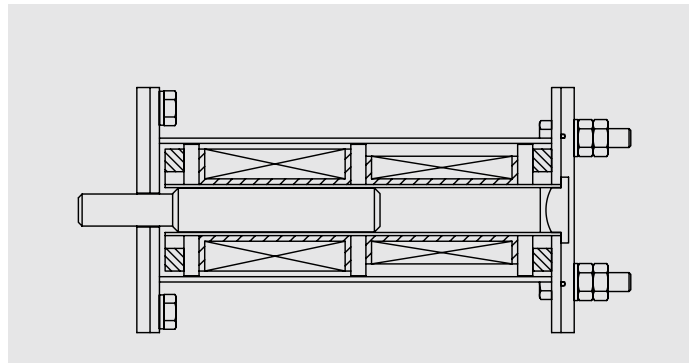
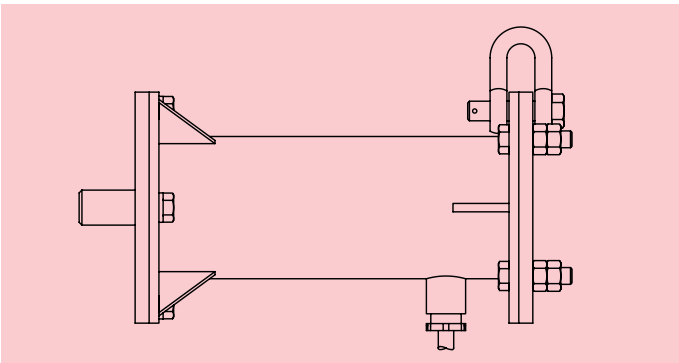
### Sound-proof type (SIS-AS)

Lower noise level with rubber impact plate.



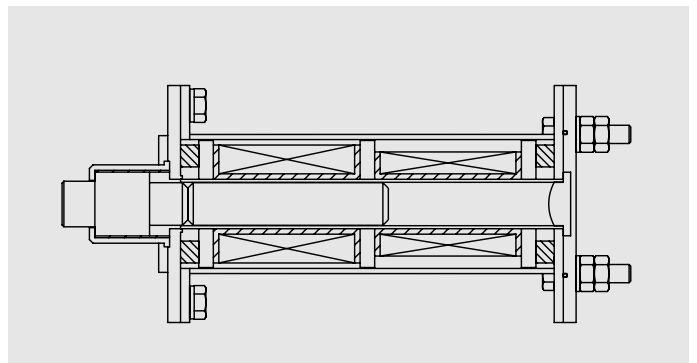
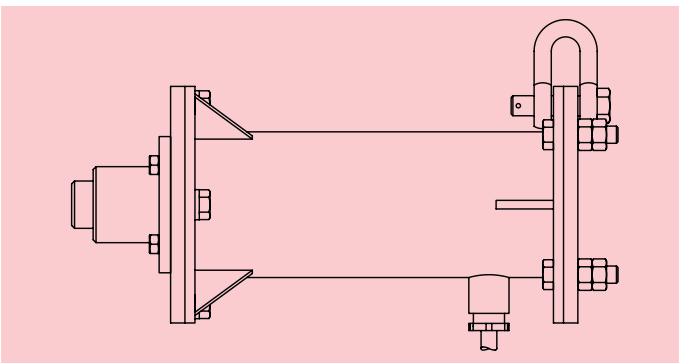
### Piston-extruded type (SIO-A)

Suitable to hitting rotating mixers.



### Direct impact type (SIS-A)

Suitable to hitting shafts of electric dust collectors as extra impact.

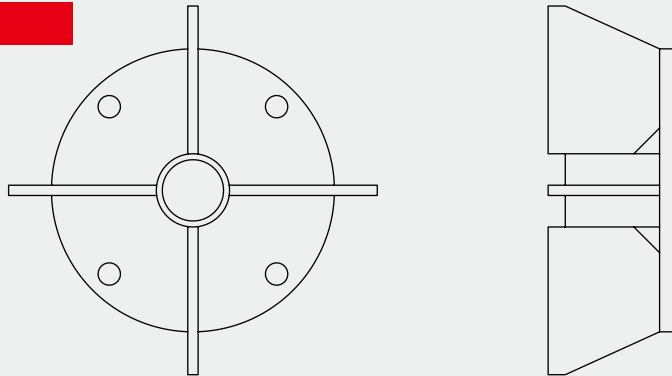




**MAGHAMMER** Base Plate design & installation

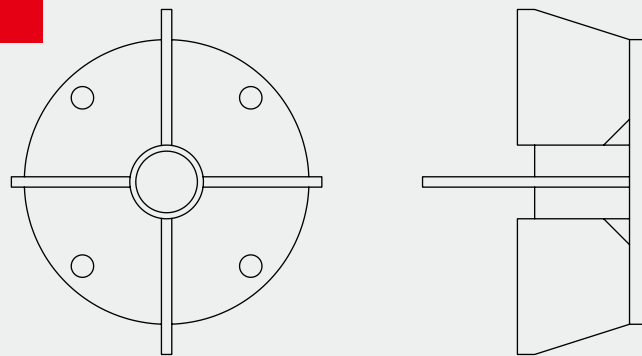
**Location**

**Flat surface**



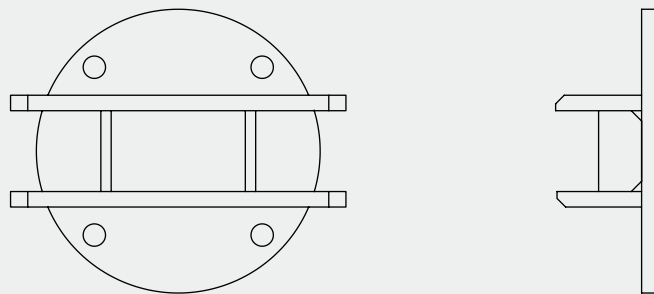
Pyramid hopper  
Pyramid chute

**Round surface**



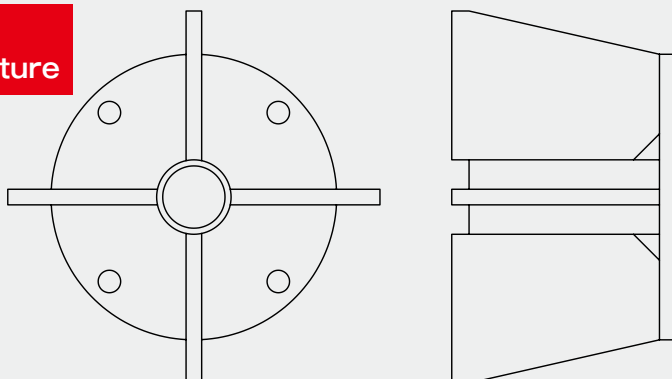
Conical hopper  
Round chute

**Small size pipe**



Small size pipes

**Flat surface  
with high temperature**

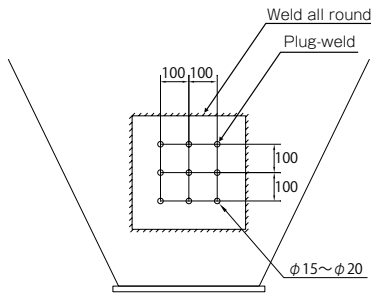


**[For high temperature]**  
Available for  
flat & round  
surfaces,  
small size pipes,  
etc.

## How & where to fit

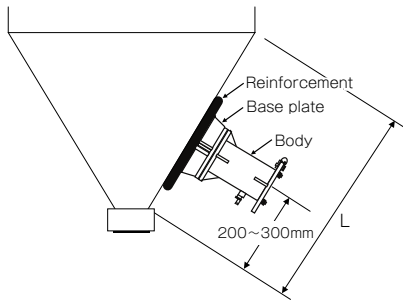
- ① weld the reinforcement plate of 4-6mm thick onto the hopper surface if the hopper wall is thin.
- ② Weld all around the base plate onto the hopper wall or to the reinforcement plate.
- ③ Fit the body onto the base plate with bolts & nuts.
- ④ Whenever MAGHAMMAR® is fitted at a higher level, take the safety measure to prevent it from falling by attaching a chain or wire to the safety shackle.

## How to mount reinforcement plate



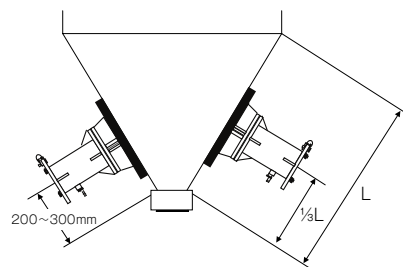
Drill 2cm diam. holes at 100mm interval and weld the reinforcement plate on the hopper wall, firstly plug-weld, then around the plate as per the sketch.

## Normal installation



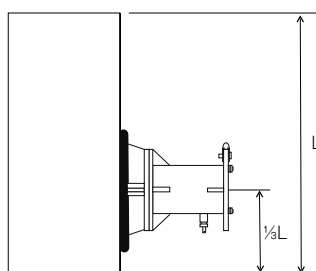
200-300mm from the hopper outlet is the normal mounting position. When fitting on an existing hopper, try with a hammer to look for the most effective point of product release, i.e. the position for MAGHAMMAR®

## Poor fluidity material



For Poor fluidity material, fit two MAGHAMMERS on different heights on opposite sides for better fluidity.

## Vertical installation



When installing onto chutes, pipes or other vertical surfaces, install at 1/3 high of "L" distance as shown in the sketch.

## Operation

- ① Plug in the power source and switch on the breaker (MCCB) of the controller-control panel light on.
- ② Selector switch can select "Auto", "Off" or "EXT"
  - a. [Auto switch]
 

Can hit once per second and choose hitting frequency, 1 to 10 by dialing. After hit (or hits) it pauses 30 sec. to 10 min. by setting "Pause Timer" and then repeats the same operation automatically.
  - b. [EXT switch]
 

The same operation as "Auto" is available if switch is on between terminals of XC and XO with no voltage contact. Continuous hitting is available if switched on between XC and X1 terminals.
- ③ When pressing the button for "Continuous Hit" on the control panel, continuous hammering can be done on either position of "Auto" or "EXT"
- ④ Impact force can be changed by adjusting both dials of "Mounting Direction" and "Impact Magnitude".
 

"Mounting Direction" dial indicates the direction of the MAGHAMMAR® body installed, upward, downward or horizontal. Set it on 0-6 for upward, 6 for horizontal and 6-8 for downward. In case of 60° angle hopper, set it on 5 with "Impact Magnitude" at 5 to 10 in normal case.

\*SN type controller: With switch on between terminals of XC and X1 with no voltage contact, it works one hammering per second. With switch off between XC and X1, no hammering is done.

## Hammering cycle of MAGHAMMAR®

MAGHAMMAR® is not of continuous rating. MAGHAMMAR's maximum operation ratio is one hammering per 3 seconds. For example, after 10 times of hammering, the pause of 20 seconds is required. Continuous hammering should be limited within one minute. After one minute continuous hammering, the pause of two minutes is required.

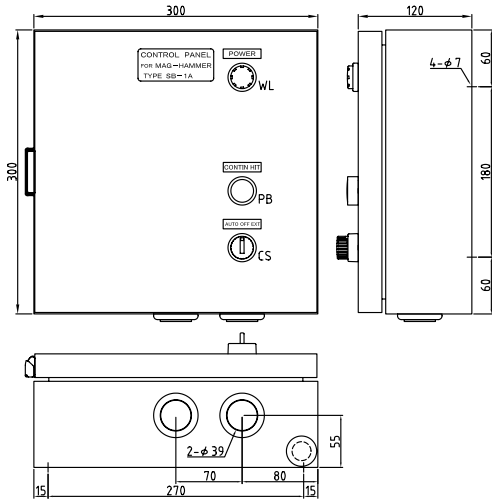
## Hammering cycle adjustment

SB type is preset for 4 time continuous hammering. It can be adjusted from 1 to 10 times by selecting "Hit Time" dial.

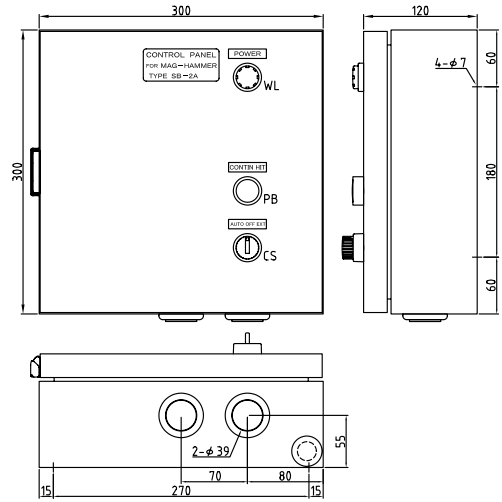
## Accessories

- 1) Base plate ..... 1pc
- 2) Fitting bolts & double nuts ..... 1set
- 3) Safety shackle for prevention of falling ..... 1pc
- 4) 5-meter cable from MAGHAMMAR® ..... 1pc
- 5) Instruction manual ..... 1vol.

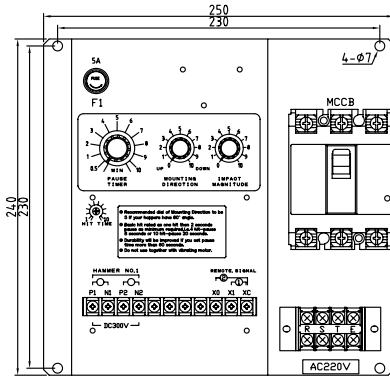
**Controller SB-1A**



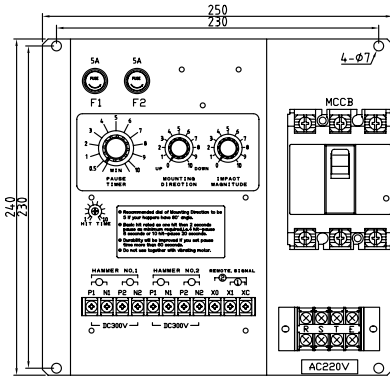
**Controller SB-2A**



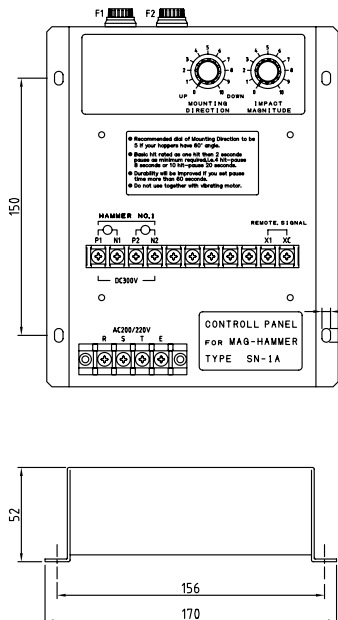
**SB-1A INTERNAL  
INSTALLATION  
DIMENSION  
270W×180H  
(INSTALLATION  
HOLE 4-φ7)**



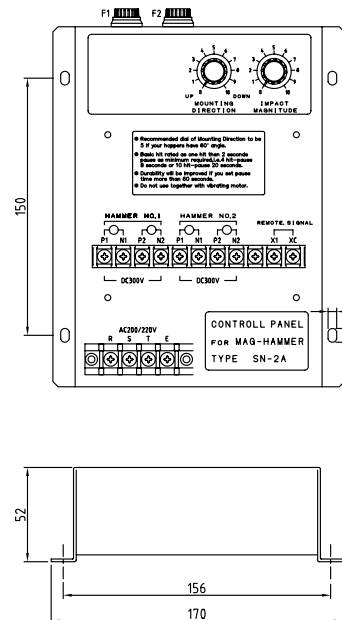
**SB-2A INTERNAL  
INSTALLATION  
DIMENSION  
270W×180H  
(INSTALLATION  
HOLE 4-φ7)**

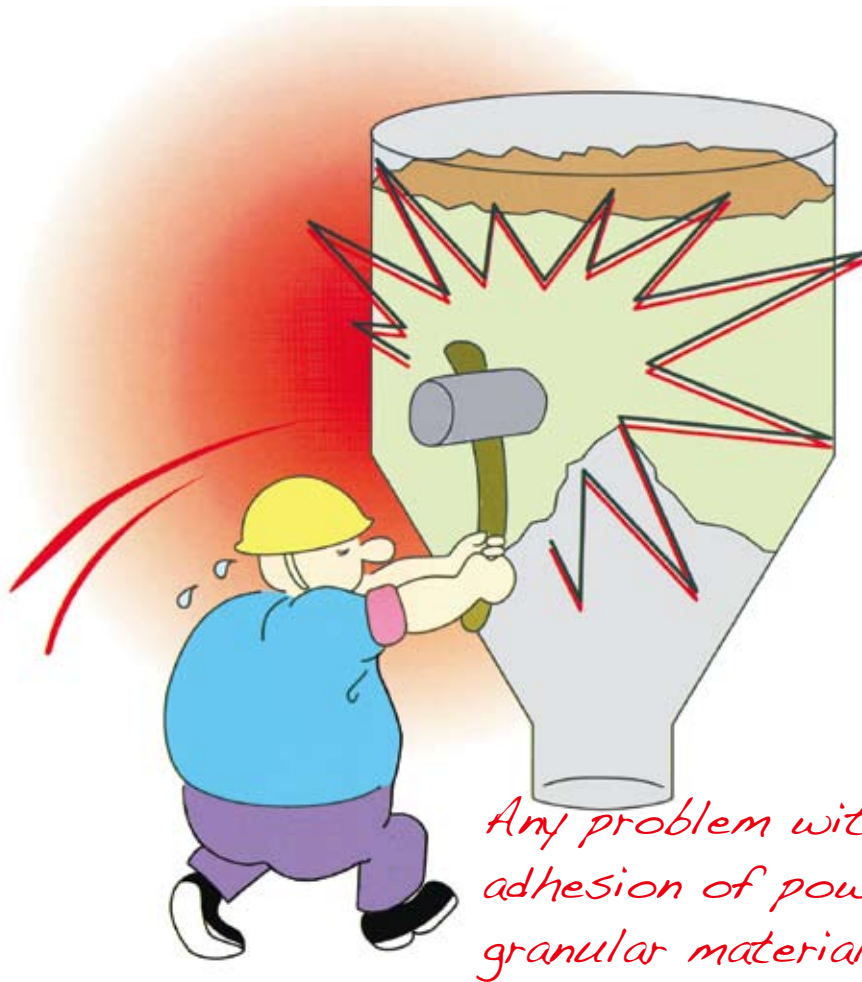


**Controller SN-1A**



**Controller SN-2A**





*Any problem with clogging and  
adhesion of powdery and  
granular materials!?*

---

**NIMI** Nippon Magnetics, Inc.  
<http://www.nmi-jpn.com>  
E-mail: [info@nmi-jpn.com](mailto:info@nmi-jpn.com)

- 
- |                              |  |
|------------------------------|--|
| ■ Head Office/Factory        | Soira 716-2, Kitatani, Dazaifu-city, Fukuoka 818-0114<br>TEL : 092-922-7161 FAX : 092-922-7162<br>mail : <a href="mailto:info@nmi-jpn.com">info@nmi-jpn.com</a>                                    |
| ■ Tokyo Sales Office         | 3F Tabata Fukuda Bldg., 1-7-3 Higashitabata,<br>Kita-ku, Tokyo 114-0013<br>TEL : 03-3895-6271 FAX : 03-3895-8456<br>mail : <a href="mailto:tokyo@nmi-jpn.com">tokyo@nmi-jpn.com</a>                |
| ■ Osaka Sales Office         | 3F Shin-Osaka Ekimae Wakow Bldg., 7-6-12 Nishinakajima,<br>Yodogawa-ku, Osaka 532-0011<br>TEL : 06-6304-6668 FAX : 06-6304-6485<br>mail : <a href="mailto:osaka@nmi-jpn.com">osaka@nmi-jpn.com</a> |
| ■ Nippon Magnetics USA, Inc. | 20695 S. Western Ave., Suite 236<br>Torrance, CA 90501, USA<br>(310) 533-8290 Phone<br>(310) 533-8295 Fax  |

---

To order NMI products :